

FERROPERM

CATALOGUE OF SURFACE MOUNTING INDUCTORS

Selection Guide: click on a button to go to the data.

Wire-Wound Ceramic Chip Inductor

Page 6

- Very High Frequency
- Very High Q **3.3nH-820nH**
- RF Circuits **1A-0.4A**
- Resonant circuits

LCN0805T Series

New !

Multilayer Chip Inductor

Page 9

- Very compact
- High Frequency **1.0nH-100nH**
- High Q **500mA-200mA**

SMCCI Series



Multilayer Chip Inductor

Page 12

- Very compact
- General Purpose **47nH-33µH**
- Good Q **300mA-5mA**

SMCI Series



Multilayer Chip Bead

Page 16

- Wide Band Suppression Choke
- Low Q **5Ω-3kΩ @100MHz**
- High Impedance **600mA-50mA**

SMBG Series

New !

Multilayer Chip Bead

Page 20

- Wide Band Suppression Choke
- Low Q **5Ω-120Ω @100MHz**
- High Current **7A-0.6A**

SMBW Series

New !

Wire Wound Inductors

Page 3

- General Purpose
- Compact size **100nH-1mH**
- Good Q **800mA-30mA**

SMCM Series

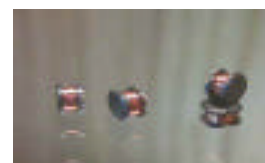


Wire Wound Inductors

Page 2

- High Current
- Compact size **Custom values**
- Low loss

SMCH Series



Our contact details are on the Back Page



Contact Details



SMCH SERIES

SURFACE MOUNTING POWER INDUCTORS

These rugged miniature power inductors are ideal for use as

- Energy Storage Inductors and
- EMI/RFI Suppression Chokes

in such applications as

- Switch Mode Power Supplies (SMPS),
- Power Amplifiers,
- Instrumentation,
- Telecomms Equipment and
- Medical Electronics.



Supplied Taped and Reeled

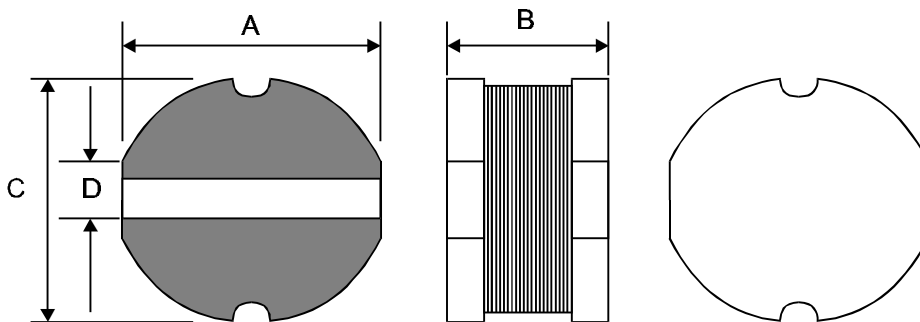
These parts are wound to meet your precise requirements.

We need to know:

- inductance
- DC current (if any)
- AC voltage and waveform (if significant)

Physical Dimensions, Reel Dimensions and Reel Quantities.

Part Number	A	B	C	D	REEL SIZE	Unit
SMCH4030	4.0	3.2 ± 0.3	4.5 ± 0.3	1.0	16mm	1500pcs/REEL
SMCH5040	5.2	4.5 ± 0.3	5.8 ± 0.3	1.3	16mm	1000pcs/REEL
SMCH7030	7.0	3.5 ± 0.3	7.8 ± 0.3	2.1	24mm	1000pcs/REEL
SMCH7050	7.0	5.0 ± 0.3	7.8 ± 0.3	2.1	24mm	1000pcs/REEL
SMCH1040	9.0	4.0 ± 0.3	10.0 ± 0.3	2.1	24mm	1000pcs/REEL



All dimensions are in mm unless otherwise stated.

FERROPERM

SMCM SERIES

SURFACE MOUNTING WIRE WOUND INDUCTORS

These rugged wire wound inductors are ideal for use in low power circuits as

- Energy Storage Inductors
- General Purpose Inductors
- EMI/RFI Suppression Chokes

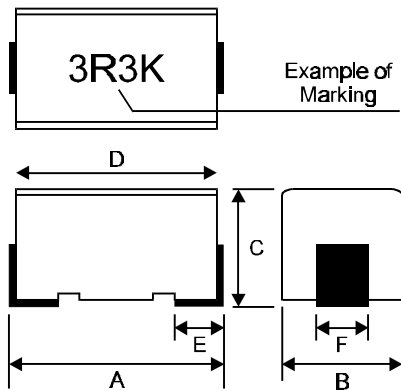
in such applications as

- Switch Mode Power Supplies (SMPS)
- Power Amplifiers
- Instrumentation
- Telecomms Equipment
- Medical Electronics



Supplied Taped and Reeled

These inductors are available in two package sizes with dimensions as detailed below.



	A	B	C	D	E	F
SMCM322522	3.2	2.5	2.2	2.9	0.6	1.0
Tolerance	± 0.3	± 0.2	± 0.2	± 0.2		

	A	B	C	D	E	F
SMCM453232	4.5	3.2	3.2	4.2	1.0	1.2
Tolerance	± 0.3	± 0.2	± 0.2	± 0.2		

Detailed electrical characteristics are given on the next two pages.

All dimensions are in mm unless otherwise stated.

FERROPERM

SMCM SERIES

SURFACE MOUNTING WIRE WOUND INDUCTORS

Part Number	L (μ H)	Q Min	Test Freq (MHz)	SRF (MHz) Min	DCR (Ω) Max	IDC (mA) Max
SMCM322522-R12M	0.12 \pm 20%	30	25.2	500	0.22	450
SMCM322522-R15M	0.15 \pm 20%	30	25.2	450	0.25	450
SMCM322522-R18M	0.18 \pm 20%	30	25.2	400	0.28	450
SMCM322522-R22M	0.22 \pm 20%	30	25.2	350	0.32	450
SMCM322522-R27M	0.27 \pm 20%	30	25.2	320	0.36	450
SMCM322522-R33M	0.33 \pm 20%	30	25.2	300	0.4	450
SMCM322522-R39M	0.39 \pm 20%	30	25.2	250	0.45	450
SMCM322522-R47M	0.47 \pm 20%	30	25.2	220	0.5	450
SMCM322522-R56M	0.56 \pm 20%	30	25.2	180	0.55	450
SMCM322522-R68M	0.68 \pm 20%	30	25.2	160	0.6	450
SMCM322522-R82M	0.82 \pm 20%	30	25.2	140	0.65	450
SMCM322522-1R0M	1.00 \pm 20%	30	7.96	120	0.7	400
SMCM322522-1R2M	1.20 \pm 20%	30	7.96	100	0.75	390
SMCM322522-1R5M	1.50 \pm 20%	30	7.96	85	0.85	370
SMCM322522-1R8M	1.80 \pm 20%	30	7.96	80	0.9	350
SMCM322522-2R2M	2.20 \pm 20%	30	7.96	75	1	320
SMCM322522-2R7M	2.70 \pm 20%	30	7.96	70	1.1	290
SMCM322522-3R3K	3.30 \pm 10%	30	7.96	60	1.2	260
SMCM322522-3R9K	3.90 \pm 10%	30	7.96	55	1.3	250
SMCM322522-4R7K	4.70 \pm 10%	30	7.96	50	1.5	220
SMCM322522-5R6K	5.60 \pm 10%	30	7.96	47	1.6	200
SMCM322522-6R8K	6.80 \pm 10%	30	7.96	43	1.8	180
SMCM322522-8R2K	8.20 \pm 10%	30	7.96	40	2	170
SMCM322522-100K	10.0 \pm 10%	30	2.52	36	2.1	150
SMCM322522-120K	12.0 \pm 10%	30	2.52	33	2.5	140
SMCM322522-150K	15.0 \pm 10%	30	2.52	28	2.8	130
SMCM322522-180K	18.0 \pm 10%	30	2.52	25	3.3	120
SMCM322522-220K	22.0 \pm 10%	30	2.52	23	3.7	110
SMCM322522-270K	27.0 \pm 10%	30	2.52	18	5	80
SMCM322522-330K	33.0 \pm 10%	30	2.52	17	5.6	70
SMCM322522-390K	39.0 \pm 10%	30	2.52	16	6.4	65
SMCM322522-470K	47.0 \pm 10%	30	2.52	15	7	60
SMCM322522-560K	56.0 \pm 10%	30	2.52	13	8	55
SMCM322522-680K	68.0 \pm 10%	30	2.52	12	9	50
SMCM322522-820K	82.0 \pm 10%	30	2.52	11	10	45
SMCM322522-101K	100.0 \pm 10%	20	0.8	10	11	40

FERROPERM

SMCM SERIES

SURFACE MOUNTING WIRE WOUND INDUCTORS

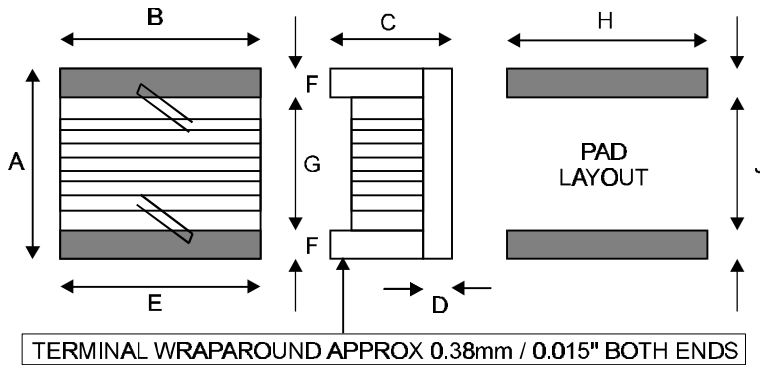
Part Number	L (μ H)	Q Min	Test Freq (MHz)	SRF (MHz) Min	DCR (Ω) Max	IDC (mA) Max
SMCM453232-R10M	0.10 \pm 20%	35	25.2	300	0.18	800
SMCM453232-R12M	0.12 \pm 20%	35	25.2	280	0.20	770
SMCM453232-R15M	0.15 \pm 20%	35	25.2	250	0.22	730
SMCM453232-R18M	0.18 \pm 20%	35	25.2	220	0.24	700
SMCM453232-R22M	0.22 \pm 20%	40	25.2	200	0.25	665
SMCM453232-R27M	0.27 \pm 20%	40	25.2	180	0.26	635
SMCM453232-R33M	0.33 \pm 20%	40	25.2	165	0.28	605
SMCM453232-R39M	0.39 \pm 20%	40	25.2	150	0.30	575
SMCM453232-R47M	0.47 \pm 20%	40	25.2	145	0.32	545
SMCM453232-R56M	0.56 \pm 20%	40	25.2	140	0.36	520
SMCM453232-R68M	0.68 \pm 20%	40	25.2	135	0.40	500
SMCM453232-R82M	0.82 \pm 20%	40	25.2	130	0.45	475
SMCM453232-1R0M	1.00 \pm 20%	50	7.96	100	0.50	450
SMCM453232-1R2M	1.20 \pm 20%	50	7.96	80	0.55	430
SMCM453232-1R5M	1.50 \pm 20%	50	7.96	70	0.60	410
SMCM453232-1R8M	1.80 \pm 20%	50	7.96	60	0.65	390
SMCM453232-2R2M	2.20 \pm 20%	50	7.96	55	0.70	380
SMCM453232-2R7M	2.70 \pm 20%	50	7.96	50	0.75	370
SMCM453232-3R3K	3.30 \pm 10%	50	7.96	45	0.80	355
SMCM453232-3R9K	3.90 \pm 10%	50	7.96	40	0.90	330
SMCM453232-4R7K	4.70 \pm 10%	50	7.96	35	1.0	315
SMCM453232-5R6K	5.60 \pm 10%	50	7.96	33	1.1	300
SMCM453232-6R8K	6.80 \pm 10%	50	7.96	27	1.2	285
SMCM453232-8R2K	8.20 \pm 10%	50	7.96	25	1.4	270
SMCM453232-100K	10.0 \pm 10%	50	2.52	20	1.6	250
SMCM453232-120K	12.0 \pm 10%	50	2.52	18	2.0	225
SMCM453232-150K	15.0 \pm 10%	50	2.52	17	2.5	200
SMCM453232-180K	18.0 \pm 10%	50	2.52	15	2.8	190
SMCM453232-220K	22.0 \pm 10%	50	2.52	13	3.2	180
SMCM453232-270K	27.0 \pm 10%	50	2.52	12	3.6	170
SMCM453232-330K	33.0 \pm 10%	50	2.52	11	4.0	160
SMCM453232-390K	39.0 \pm 10%	50	2.52	10	4.5	150
SMCM453232-470K	47.0 \pm 10%	50	2.52	10	5.0	140
SMCM453232-560K	56.0 \pm 10%	50	2.52	9	5.5	135
SMCM453232-680K	68.0 \pm 10%	50	2.52	9	6.0	130
SMCM453232-820K	82.0 \pm 10%	50	2.52	8	7.0	120
SMCM453232-101K	100 \pm 10%	40	0.8	8	8.0	110
SMCM453232-121K	120 \pm 10%	40	0.8	6	8.0	110
SMCM453232-151K	150 \pm 10%	40	0.8	5	9.0	105
SMCM453232-181K	180 \pm 10%	40	0.8	5	9.5	102
SMCM453232-221K	220 \pm 10%	40	0.8	4	10	100
SMCM453232-271K	270 \pm 10%	40	0.8	4	12	92
SMCM453232-331K	330 \pm 10%	40	0.8	3.5	14	85
SMCM453232-391K	390 \pm 10%	40	0.8	3	18	80
SMCM453232-471K	470 \pm 10%	40	0.8	3	26	62
SMCM453232-561K	560 \pm 10%	30	0.8	3	30	50
SMCM453232-681K	680 \pm 10%	30	0.8	3	30	50
SMCM453232-821K	820 \pm 10%	30	0.8	2.5	35	30
SMCM453232-102K	1000 \pm 10%	20	0.25	2.5	40	30

FERROPERM

SMLCN SERIES

SURFACE MOUNTING HIGH FREQUENCY INDUCTORS

These miniature inductors feature high self-resonant frequencies and high Q. Thus they are ideal for use in high frequency and RF circuits. They are wire-wound on a ceramic chip. They are supplied Taped and Reeled. These inductors are available in two package sizes with dimensions as detailed below.



New !

	Unit	A	B	C	D	E	F	G	H	I	J
		Max	Max	Max							
SMLCN0805	mm	2.29	1.73	1.52	0.51	1.27	0.51	1.02	1.78	1.02	0.76
	in	0.09	0.07	0.06	0.02	0.05	0.02	0.04	0.07	0.04	0.03
SMLCN1008	mm	2.92	2.79	2.1	0.51	2.03	0.51	1.52	2.54	1.02	1.27
	in	0.115	0.11	0.08	0.02	0.08	0.02	0.06	0.1	0.04	0.05

Detailed electrical characteristics are given on the next two pages.

FERROPERM

SMLCN SERIES

SURFACE MOUNTING HIGH FREQUENCY INDUCTORS

Part Number	Inductance nH	Test Frequency (MHz)	Q Min	Test Frequency (MHz)	SRF Min (MHz)	RDC Max (Ω)	IDC Max (mA)
SMLCN0805-3N3M	3.3 \pm 20%	250	50	1500	6000	0.08	600
SMLCN0805-6N8M	6.8 \pm 20%	250	50	1000	5500	0.11	600
SMLCN0805-8N2M	8.2 \pm 20%	250	50	1000	4700	0.12	600
SMLCN0805-12NM	12 \pm 20%	250	50	500	4000	0.15	600
SMLCN0805-15NM	15 \pm 20%	250	50	500	3400	0.17	600
SMLCN0805-18NM	18 \pm 20%	250	50	500	3300	0.20	600
SMLCN0805-22NM	22 \pm 20%	250	55	500	2600	0.22	500
SMLCN0805-27NM	27 \pm 20%	250	55	500	2500	0.25	500
SMLCN0805-33NM	33 \pm 20%	250	60	500	2050	0.27	500
SMLCN0805-39NM	39 \pm 20%	250	60	500	2000	0.29	500
SMLCN0805-47NM	47 \pm 20%	200	60	500	1650	0.31	500
SMLCN0805-56NM	56 \pm 10%	200	60	500	1550	0.34	500
SMLCN0805-68NM	68 \pm 10%	200	60	500	1450	0.38	500
SMLCN0805-82NM	82 \pm 10%	150	65	500	1300	0.42	400
SMLCN0805-R10K	100 \pm 10%	150	65	500	1200	0.46	400
SMLCN0805-R12K	120 \pm 10%	150	50	250	1100	0.51	400
SMLCN0805-R15K	150 \pm 10%	100	50	250	920	0.56	400
SMLCN0805-R18K	180 \pm 10%	100	50	250	870	0.64	400
SMLCN0805-R22K	220 \pm 10%	100	50	250	850	0.70	400

FERROPERM

SMLCN SERIES

SURFACE MOUNTING HIGH FREQUENCY INDUCTORS

Part Number	Inductance nH	Test Frequency (MHz)	Q Min	Test Frequency (MHz)	SRF Min (MHz)	RDC Max (Ω)	IDC Max (mA)
SMLCN1008-10NM	10 ± 20%	50	50	500	4100	0.08	1000
SMLCN1008-12NM	12 ± 20%	50	50	500	3300	0.09	1000
SMLCN1008-15NM	15 ± 20%	50	50	500	2500	0.10	1000
SMLCN1008-18NM	18 ± 20%	50	50	350	2500	0.11	1000
SMLCN1008-22NM	22 ± 20%	50	55	350	2400	0.12	1000
SMLCN1008-27NM	27 ± 20%	50	55	350	1600	0.13	1000
SMLCN1008-33NM	33 ± 20%	50	60	350	1600	0.14	1000
SMLCN1008-39NM	39 ± 20%	50	60	350	1500	0.15	1000
SMLCN1008-47NM	47 ± 20%	50	65	350	1500	0.16	1000
SMLCN1008-56NM	56 ± 20%	50	65	350	1300	0.18	1000
SMLCN1008-68NM	68 ± 20%	50	65	350	1300	0.20	1000
SMLCN1008-82NM	82 ± 20%	50	60	350	1000	0.22	1000
SMLCN1008-R10K	100 ± 10%	25	60	350	1000	0.56	650
SMLCN1008-R12K	120 ± 10%	25	60	350	950	0.63	650
SMLCN1008-R15K	150 ± 10%	25	45	100	850	0.70	580
SMLCN1008-R18K	180 ± 10%	25	45	100	750	0.77	620
SMLCN1008-R22K	220 ± 10%	25	45	100	700	0.84	500
SMLCN1008-R27K	270 ± 10%	25	45	100	600	0.91	500
SMLCN1008-R33K	330 ± 10%	25	45	100	570	1.05	450
SMLCN1008-R39K	390 ± 10%	25	45	100	500	1.12	470
SMLCN1008-R47K	470 ± 10%	25	45	100	450	1.19	470
SMLCN1008-R56K	560 ± 10%	25	45	100	410	1.33	400
SMLCN1008-R62K	620 ± 10%	25	45	100	375	1.40	300
SMLCN1008-R68K	680 ± 10%	25	45	100	375	1.47	400
SMLCN1008-R75K	750 ± 10%	25	45	100	360	1.54	360
SMLCN1008-R82K	820 ± 10%	25	45	100	350	1.61	400

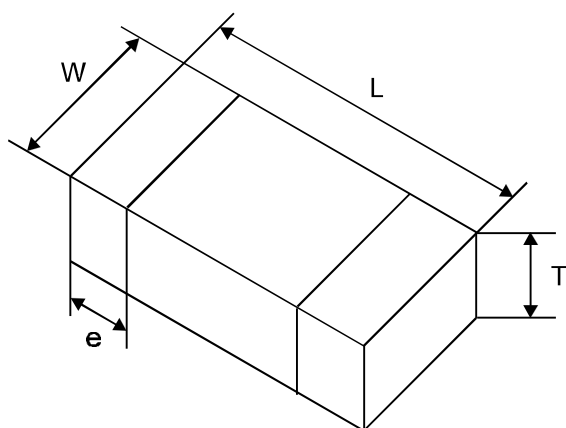
FERROPERM

SMCCI SERIES

SURFACE MOUNTING HIGH FREQUENCY CHIP INDUCTORS

These rugged multilayer chip inductors feature small size and good high frequency performance. They are supplied Taped and Reeled.

These inductors are available in two package sizes with dimensions as detailed below.



	L	W	T	e
SMCCI1005	1.0 ± 0.15	0.5 ± 0.15	0.5 ± 0.15	0.25 ± 0.1

	L	W	T	e
SMCCI1608	1.6 ± 0.15	0.8 ± 0.15	0.8 ± 0.15	0.3 ± 0.2

Detailed electrical characteristics are given on the next two pages.

All dimensions are in mm unless otherwise stated.

FERROPERM

SMCCI SERIES

SURFACE MOUNTING HIGH FREQUENCY CHIP INDUCTORS

Part Number	L 100 MHz (nH)	Tolerance	Q 100 MHz Min	SRF (MHz) Min	DCR (Ω) Max	IDC (mA) Max
SMCCI1005-1N0S	1.0	± 0.3 nH	8	6000	0.05	400
SMCCI1005-1N2S	1.2	± 0.3 nH	8	6000	0.06	400
SMCCI1005-1N5S	1.5	± 0.3 nH	8	6000	0.07	400
SMCCI1005-1N8S	1.8	± 0.3 nH	8	6000	0.08	400
SMCCI1005-2N2S	2.2	± 0.3 nH	8	6000	0.09	400
SMCCI1005-2N7S	2.7	± 0.3 nH	8	5500	0.10	400
SMCCI1005-3N3S	3.3	± 0.3 nH	7	5500	0.12	400
SMCCI1005-3N9S	3.9	± 0.3 nH	7	5200	0.15	360
SMCCI1005-4N7S	4.7	± 0.3 nH	7	4800	0.17	360
SMCCI1005-5N6S	5.6	± 0.5 nH	7	4600	0.19	340
SMCCI1005-6N9N*	6.8	$\pm 10\%$, $\pm 5\%$	8	4000	0.30	300
SMCCI1005-8N2N*	8.2	$\pm 10\%$, $\pm 5\%$	8	3600	0.35	300
SMCCI1005-10N*	10	$\pm 10\%$, $\pm 5\%$	8	3200	0.41	300
SMCCI1005-12N*	12	$\pm 10\%$, $\pm 5\%$	8	2800	0.45	300
SMCCI1005-15N*	15	$\pm 10\%$, $\pm 5\%$	8	2500	0.55	300
SMCCI1005-18N*	18	$\pm 10\%$, $\pm 5\%$	8	2200	0.65	300
SMCCI1005-22N*	22	$\pm 10\%$, $\pm 5\%$	8	2000	0.80	300
SMCCI1005-27N*	27	$\pm 10\%$, $\pm 5\%$	9	1600	0.90	300
SMCCI1005-33N*	33	$\pm 10\%$, $\pm 5\%$	8	1300	1.00	200
SMCCI1005-39N*	39	$\pm 10\%$, $\pm 5\%$	8	1200	1.20	180
SMCCI1005-47N*	47	$\pm 10\%$, $\pm 5\%$	8	1000	1.30	180
SMCCI1005-56N*	56	$\pm 10\%$, $\pm 5\%$	8	900	1.40	180

* : Inductance tolerance K ($\pm 10\%$), M($\pm 20\%$)

Operating temperature range : -25°C to $+125^{\circ}\text{C}$

FERROPERM

SMCCI SERIES

SURFACE MOUNTING HIGH FREQUENCY CHIP INDUCTORS

Part Number	L 100 MHz (nH)	Tolerance	Q 100 \ 800 MHz Min	SRF (MHz) Min	DCR (Ω) Max	IDC (mA) Max
SMCCI1608-1N5S	1.5	± 0.3 nH	8 \ 20	10000	0.1	500
SMCCI1608-1N8S	1.8	± 0.3 nH	8 \ 20	9800	0.12	500
SMCCI1608-2N2S	2.2	± 0.3 nH	10 \ 20	7600	0.2	500
SMCCI1608-2N7S	2.7	± 0.3 nH	10 \ 25	7000	0.2	500
SMCCI1608-3N3S	3.3	± 0.3 nH	10 \ 25	6200	0.2	500
SMCCI1608-3N9S	3.9	± 0.3 nH	10 \ 27	5600	0.2	500
SMCCI1608-4N7S	4.7	± 0.3 nH	10 \ 27	4800	0.2	500
SMCCI1608-5N6D	5.6	± 0.5 nH	10 \ 27	4600	0.3	500
SMCCI1608-6N8D	6.8	± 0.5 nH	10 \ 27	4200	0.3	500
SMCCI1608-8N2D	8.2	± 0.5 nH	10 \ 26	3600	0.3	500
SMCCI1608-10N*	10	$\pm 10\%$, $\pm 20\%$	12 \ 26	3200	0.5	300
SMCCI1608-12N*	12	$\pm 10\%$, $\pm 20\%$	12 \ 24	2800	0.5	300
SMCCI1608-15N*	15	$\pm 10\%$, $\pm 20\%$	12 \ 24	2600	0.6	300
SMCCI1608-18N*	18	$\pm 10\%$, $\pm 20\%$	12 \ 25	2400	0.6	300
SMCCI1608-22N*	22	$\pm 10\%$, $\pm 20\%$	12 \ 25	2000	0.6	300
SMCCI1608-27N*	27	$\pm 10\%$, $\pm 20\%$	12 \ 24	1900	0.8	300
SMCCI1608-33N*	33	$\pm 10\%$, $\pm 20\%$	12 \ 20	1600	0.8	300
SMCCI1608-39N*	39	$\pm 10\%$, $\pm 20\%$	14 \ 20	1400	0.8	300
SMCCI1608-47N*	47	$\pm 10\%$, $\pm 20\%$	14 \ 20	1200	1.0	200
SMCCI1608-56N*	56	$\pm 10\%$, $\pm 20\%$	14 \ 20	1000	1.0	200
SMCCI1608-68N*	68	$\pm 10\%$, $\pm 20\%$	14 \ 20	900	1.0	200
SMCCI1608-82N*	82	$\pm 10\%$, $\pm 20\%$	14 \ 20	800	1.0	200
SMCCI1608-R10*	100	$\pm 10\%$, $\pm 20\%$	14 \ 20	700	1.0	200

* : Inductance tolerance K ($\pm 10\%$), M($\pm 20\%$)
 Operating temperature range : -25°C to $+85^{\circ}\text{C}$

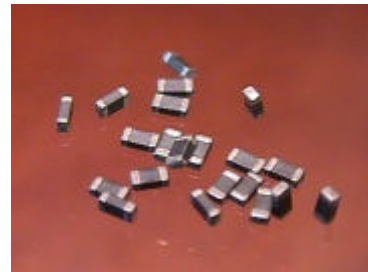
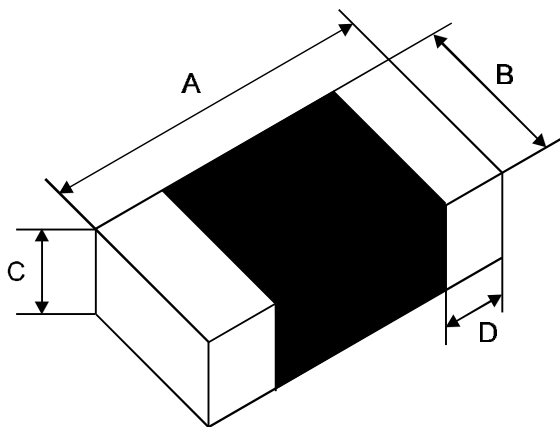
FERROPERM

SMCI SERIES

SURFACE MOUNTING GENERAL PURPOSE CHIP INDUCTORS

These rugged multilayer chip inductors feature small size and good high frequency performance. They are supplied Taped and Reeled.

These inductors are available in three package sizes with dimensions as detailed below.



	L	W	T	e
SMCI1608	1.6±0.15	0.8±0.15	0.8±0.15 1.2±0.15	0.3±0.2

	L	W	T	e
SMCI2012	2.0±0.2	1.25±0.2	0.85±0.2 1.25±0.2	0.5±0.3

	L	W	T	e
SMCI3216	3.2±0.2	1.6±0.2	0.6±0.2 1.1±0.2	0.5±0.3

Detailed electrical characteristics are given on the next three pages.

All dimensions are in mm unless otherwise stated.

FERROPERM

SMCI SERIES

SURFACE MOUNTING GENERAL PURPOSE CHIP INDUCTORS

Part Number	L (μ H)	Q Min	Test Freq (MHz)	SRF (MHz) Min	DCR (Ω) Max	IDC (mA) Max	Dim T mm
SMCI1608-47NM	0.047 \pm 20%	10	50	260	0.3	50	0.8 \pm 0.15
SMCI1608-68NM	0.068 \pm 20%	10	50	250	0.3	50	0.8 \pm 0.15
SMCI1608-82NM	0.082 \pm 20%	10	50	245	0.3	50	0.8 \pm 0.15
SMCI1608-R10*	0.1	15	25	240	0.5	50	0.8 \pm 0.15
SMCI1608-R12*	0.12	15	25	205	0.5	50	0.8 \pm 0.15
SMCI1608-R15*	0.15	15	25	180	0.6	50	0.8 \pm 0.15
SMCI1608-R18*	0.18	15	25	165	0.6	50	0.8 \pm 0.15
SMCI1608-R22*	0.22	15	25	150	0.8	50	0.8 \pm 0.15
SMCI1608-R27*	0.27	15	25	136	0.8	50	0.8 \pm 0.15
SMCI1608-R33*	0.33	15	25	125	0.85	35	0.8 \pm 0.15
SMCI1608-R39*	0.39	15	25	110	1	35	0.8 \pm 0.15
SMCI1608-R47*	0.47	15	25	105	1.35	35	0.8 \pm 0.15
SMCI1608-R56*	0.56	15	25	95	1.55	35	0.8 \pm 0.15
SMCI1608-R68*	0.68	15	25	90	1.7	35	0.8 \pm 0.15
SMCI1608-R82*	0.82	15	25	85	2.1	35	0.8 \pm 0.15
SMCI1608-1R0*	1	35	10	75	0.6	25	0.8 \pm 0.15
SMCI1608-1R2*	1.2	35	10	65	0.8	25	0.8 \pm 0.15
SMCI1608-1R5*	0.5	35	10	60	0.8	25	0.8 \pm 0.15
SMCI1608-1R8*	1.8	35	10	55	0.95	25	0.8 \pm 0.15
SMCI1608-2R2*	2.2	35	10	50	1.15	15	0.8 \pm 0.15
SMCI1608-2R7*	2.7	35	10	45	1.35	15	0.8 \pm 0.15
SMCI1608-3R3*	3.3	35	10	40	1.55	15	0.8 \pm 0.15
SMCI1608-3R9*	3.9	35	10	35	1.7	15	0.8 \pm 0.15
SMCI1608-4R7*	4.7	35	10	33	2.1	15	0.8 \pm 0.15
SMCI1608-5R6*	5.6	35	4	22	1.55	5	0.8 \pm 0.15

* Insert Inductance Tolerance Specifier Letter K (\pm 10%) or M (\pm 20%)

Operating temperature range: -25°C to +85°C.

FERROPERM

SMCI SERIES

SURFACE MOUNTING GENERAL PURPOSE CHIP INDUCTORS

Part Number	L (μ H)	Q Min	Test Freq (MHz)	SRF (MHz) Min	DCR (Ω) Max	IDC (mA) Max	Dim T \pm 0.2 mm
SMCI2012-47NM	0.047 \pm 20%	15	50	320	0.2	300	0.85
SMCI2012-68NM	0.068 \pm 20%	15	50	280	0.2	300	0.85
SMCI2012-82NM	0.082 \pm 20%	15	50	255	0.2	300	0.85
SMCI2012-R10*	0.1	20	25	235	0.3	250	0.85
SMCI2012-R12*	0.12	20	25	220	0.3	250	0.85
SMCI2012-R15*	0.15	20	25	200	0.4	250	0.85
SMCI2012-R18*	0.18	20	25	185	0.4	250	0.85
SMCI2012-R22*	0.22	20	25	170	0.5	250	0.85
SMCI2012-R27*	0.27	20	25	150	0.5	250	0.85
SMCI2012-R33*	0.33	20	25	145	0.55	250	0.85
SMCI2012-R39*	0.39	25	25	135	0.65	200	0.85
SMCI2012-R47*	0.47	25	25	125	0.65	200	1.25
SMCI2012-R56*	0.56	25	25	115	0.75	150	1.25
SMCI2012-R68*	0.68	25	25	105	0.8	150	1.25
SMCI2012-R82*	0.82	25	25	100	1	150	1.25
SMCI2012-1R0*	1	45	10	75	0.4	50	0.85
SMCI2012-1R2*	1.2	45	10	65	0.5	50	0.85
SMCI2012-1R5*	0.5	45	10	60	0.5	50	0.85
SMCI2012-1R8*	1.8	45	10	55	0.6	50	0.85
SMCI2012-2R2*	2.2	45	10	50	0.65	30	0.85
SMCI2012-2R7*	2.7	45	10	45	0.75	30	1.25
SMCI2012-3R3*	3.3	45	10	41	0.8	30	1.25
SMCI2012-3R9*	3.9	45	10	38	0.9	30	1.25
SMCI2012-4R7*	4.7	45	10	35	1	30	1.25
SMCI2012-5R6*	5.6	40	4	32	0.9	15	1.25
SMCI2012-6R8*	6.8	40	4	29	1	15	1.25
SMCI2012-8R2*	8.2	40	4	26	1.1	15	1.25
SMCI2012-100*	10	30	2	24	1.15	15	1.25
SMCI2012-120*	12	30	2	22	1.25	15	1.25
SMCI2012-150*	15	30	1	19	0.8	5	1.25
SMCI2012-180*	18	30	1	18	0.9	5	1.25
SMCI2012-220*	22	30	1	16	1.1	5	1.25
SMCI2012-270*	27	30	1	14	1.15	5	1.25
SMCI2012-330*	33	35	0.4	13	1.25	5	1.25

* Insert Inductance Tolerance Specifier Letter K (\pm 10%) or M (\pm 20%)

Operating temperature range: -25°C to +85°C.

FERROPERM

SMCI SERIES

SURFACE MOUNTING GENERAL PURPOSE CHIP INDUCTORS

Part Number	L (μ H)	Q Min	Test Freq (MHz)	SRF (MHz) Min	DCR (Ω) Max	IDC (mA) Max	Dim T mm
SMCI3216-47NM	0.047 \pm 20%	20	50	320	0.15	300	0.6 \pm 0.2
SMCI3216-68NM	0.068 \pm 20%	20	50	280	0.25	300	0.6 \pm 0.2
SMCI3216-R10*	0.1	20	25	235	0.25	250	0.6 \pm 0.2
SMCI3216-R12*	0.12	20	25	220	0.3	250	0.6 \pm 0.2
SMCI3216-R15*	0.15	20	25	200	0.3	250	0.6 \pm 0.2
SMCI3216-R18*	0.18	20	25	185	0.4	250	0.6 \pm 0.2
SMCI3216-R22*	0.22	20	25	170	0.4	250	0.6 \pm 0.2
SMCI3216-R27*	0.27	20	25	150	0.5	250	0.6 \pm 0.2
SMCI3216-R33*	0.33	20	25	145	0.6	250	0.6 \pm 0.2
SMCI3216-R39*	0.39	25	25	135	0.5	200	1.1 \pm 0.3
SMCI3216-R47*	0.47	25	25	125	0.6	200	1.1 \pm 0.3
SMCI3216-R56*	0.56	25	25	115	0.7	150	1.1 \pm 0.3
SMCI3216-R68*	0.68	25	25	105	0.8	150	1.1 \pm 0.3
SMCI3216-R82*	0.82	25	25	100	0.9	150	1.1 \pm 0.3
SMCI3216-1R0*	1	45	10	75	0.4	50	1.1 \pm 0.3
SMCI3216-1R2*	1.2	45	10	65	0.5	50	1.1 \pm 0.3
SMCI3216-1R5*	0.5	45	10	60	0.5	50	1.1 \pm 0.3
SMCI3216-1R8*	1.8	45	10	55	0.5	50	1.1 \pm 0.3
SMCI3216-2R2*	2.2	45	10	50	0.6	30	1.1 \pm 0.3
SMCI3216-2R7*	2.7	45	10	45	0.6	30	1.1 \pm 0.3
SMCI3216-3R3*	3.3	45	10	41	0.7	30	1.1 \pm 0.3
SMCI3216-3R9*	3.9	45	10	38	0.8	30	1.1 \pm 0.3
SMCI3216-4R7*	4.7	45	10	35	0.9	30	1.1 \pm 0.3
SMCI3216-5R6*	5.6	40	4	32	0.7	15	1.1 \pm 0.3
SMCI3216-6R8*	6.8	40	4	29	0.8	15	1.1 \pm 0.3
SMCI3216-8R2*	8.2	40	4	26	0.9	15	1.1 \pm 0.3
SMCI3216-100*	10	30	2	24	1	15	1.1 \pm 0.3
SMCI3216-120*	12	30	2	22	1.05	15	1.1 \pm 0.3
SMCI3216-150*	15	35	1	19	0.7	5	1.1 \pm 0.3
SMCI3216-180*	18	35	1	18	0.7	5	1.1 \pm 0.3
SMCI3216-220*	22	35	1	16	0.9	5	1.1 \pm 0.3
SMCI3216-270*	27	35	1	14	0.9	5	1.1 \pm 0.3
SMCI3216-330*	33	35	0.4	13	1.05	5	1.1 \pm 0.3

* Insert Inductance Tolerance Specifier Letter K (\pm 10%) or M (\pm 20%)

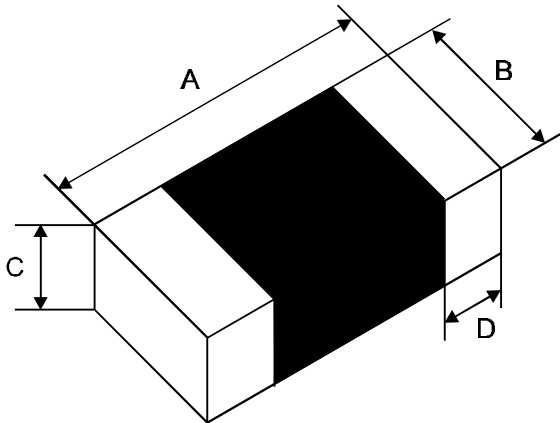
Operating temperature range: -25°C to +85°C.

FERROPERM

SMBG SERIES

SURFACE MOUNTING SUPPRESSION CHIP BEADS

These rugged multilayer chip beads feature small size and wide band frequency suppression. They are supplied Taped and Reeled.



New !

Type	Dimensions			
	A	B	C	D
SMBG1608	1.6 ± 0.15	0.8 ± 0.15	0.8 ± 0.15	0.3 ± 0.2
SMBG2012	$2.0 +0.3 -0.1$	1.25 ± 0.2	0.85 ± 0.2	0.5 ± 0.3
SMBG3216	3.2 ± 0.2	1.6 ± 0.2	1.1 ± 0.2	0.5 ± 0.3

Detailed electrical characteristics are given on the next three pages.

All dimensions are in mm unless otherwise stated.

FERROPERM

SMBG SERIES

SURFACE MOUNTING SUPPRESSION CHIP BEADS

Part Number	Impedance ±25% (Ω)	Test Frequency (MHz)	RDC (Ω) Max	Rated Current (mA) max
SMBG1608-050	5	100	0.1	300
SMBG1608-070	7	100	0.1	300
SMBG1608-110	11	100	0.1	300
SMBG1608-190	19	100	0.1	300
SMBG1608-310	31	100	0.1	300
SMBG1608-600	60	100	0.2	150
SMBG1608-800	80	100	0.2	150
SMBG1608-121	120	100	0.4	150
SMBG1608-181	180	100	0.5	150
SMBG1608-301	300	100	0.6	100
SMBG1608-501	500	100	0.8	100
SMBG1608-601	600	100	0.8	100
SMBG1608-102	1000	100	1	50

Operating temperature range : -25°C to +85°C

FERROPERM

SMBG SERIES

SURFACE MOUNTING SUPPRESSION CHIP BEADS

Part Number	Impedance $\pm 25\%$ (Ω)	Test Frequency (MHz)	RDC (Ω) Max	Rated Current (mA) max
SMBG2012-070	7	100	0.1	600
SMBG2012-110	11	100	0.1	600
SMBG2012-190	19	100	0.2	500
SMBG2012-260	26	100	0.2	500
SMBG2012-310	31	100	0.2	500
SMBG2012-360	36	100	0.2	400
SMBG2012-660	66	100	0.2	400
SMBG2012-700	70	100	0.2	300
SMBG2012-800	80	100	0.2	300
SMBG2012-121	120	100	0.3	250
SMBG2012-151	150	100	0.3	200
SMBG2012-181	180	100	0.3	200
SMBG2012-221	220	100	0.4	200
SMBG2012-301	300	100	0.4	200
SMBG2012-501	500	100	0.5	200
SMBG2012-601	600	100	0.5	200
SMBG2012-751	750	100	0.6	200
SMBG2012-102	1000	50	0.6	100
SMBG2012-122	1200	50	0.7	50
SMBG2012-152	1500	50	0.8	50
SMBG2012-202	2000	50	1.0	50

Operating temperature range : -25°C to +85°C

FERROPERM

SMBG SERIES

SURFACE MOUNTING SUPPRESSION CHIP BEADS

Part Number	Impedance ±25% (Ω)	Test Frequency (MHz)	RDC (Ω) Max	Rated Current (mA) max
SMBG3216-070	7	100	0.1	600
SMBG3216-190	19	100	0.1	600
SMBG3216-260	26	100	0.2	500
SMBG3216-310	31	100	0.2	500
SMBG3216-360	36	100	0.2	500
SMBG3216-660	66	100	0.2	400
SMBG3216-800	80	100	0.2	300
SMBG3216-121	120	100	0.2	300
SMBG3216-151	150	100	0.3	250
SMBG3216-181	180	100	0.3	200
SMBG3216-301	300	100	0.4	200
SMBG3216-501	500	100	0.5	200
SMBG3216-601	600	100	0.5	200
SMBG3216-751	750	100	0.6	200
SMBG3216-102	1000	50	0.6	100
SMBG3216-122	1200	50	0.7	100
SMBG3216-152	1500	50	0.7	100
SMBG3216-202	2000	50	0.8	100
SMBG3216-252	2500	50	0.9	50
SMBG3216-302	3000	50	1.0	50

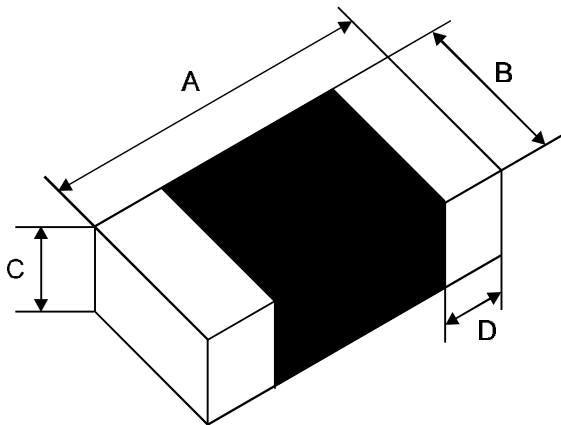
Operating temperature range : -25°C to +85°C

FERROPERM

SMBW SERIES

SURFACE MOUNTING SUPPRESSION CHIP BEADS

These rugged multilayer chip beads feature small size, high current rating and wide band frequency suppression. They are supplied Taped and Reeled.



New !

Type	Dimensions			
	A	B	C	D
SMBW1608	1.6 ± 0.15	0.8 ± 0.15	0.8 ± 0.15	0.3 ± 0.2
SMBW2012	$2.0 +0.3 -0.1$	1.25 ± 0.2	0.85 ± 0.2	0.5 ± 0.3
SMBW3216	3.2 ± 0.2	1.6 ± 0.2	1.1 ± 0.3	0.5 ± 0.3
SMBW4516	4.5 ± 0.2	1.6 ± 0.2	1.6 ± 0.2	0.6 ± 0.2
SMBW4532	4.5 ± 0.2	3.2 ± 0.2	1.5 ± 0.2	0.6 ± 0.2

Detailed electrical characteristics are given on the next page.

All dimensions are in mm unless otherwise stated.

FERROPERM

SMBW SERIES

SURFACE MOUNTING SUPPRESSION CHIP BEADS

Part Number	Impedance ±25% (Ω)	Test Frequency (MHz)	RDC (Ω) Max	Rated Current (A) max
SMBW1608-005	5	100	0.02	2
SMBW1608-011	11	100	0.03	2
SMBW1608-031	31	100	0.1	1
SMBW1608-060	60	100	0.2	0.6
SMBW2012-007	7	100	0.04	3
SMBW2012-011	11	100	0.04	3
SMBW2012-031	31	100	0.06	1.5
SMBW2012-060	60	100	0.06	1.5
SMBW3216-019	19	100	0.04	4
SMBW3216-026	26	100	0.04	4
SMBW3216-031	31	100	0.04	4
SMBW3216-050	50	100	0.02	4
SMBW3216-070	70	100	0.02	4
SMBW3216-080	80	100	0.03	4
SMBW3216-090	90	100	0.03	4
SMBW3216-120	120	100	0.06	2
SMBW4516-060	60	100	0.02	6
SMBW4516-070	70	100	0.03	6
SMBW4516-080	80	100	0.03	5
SMBW4532-070	70	100	0.03	7
SMBW4532-120	120	100	0.03	4

Operating temperature range : -25°C to +85°C

FERROPERM



FERROPERM

CATALOGUE OF SURFACE MOUNTING INDUCTORS

Ferroperm UK Ltd.
Vauxhall Industrial Estate,
Ruabon,
Wrexham.
LL14 6HA.
United Kingdom.

Telephone +44 1978 823 990
Fax +44 1978 810 128

Email catmail@ferroperm.co.uk
Web <http://www.ferroperm.co.uk>